



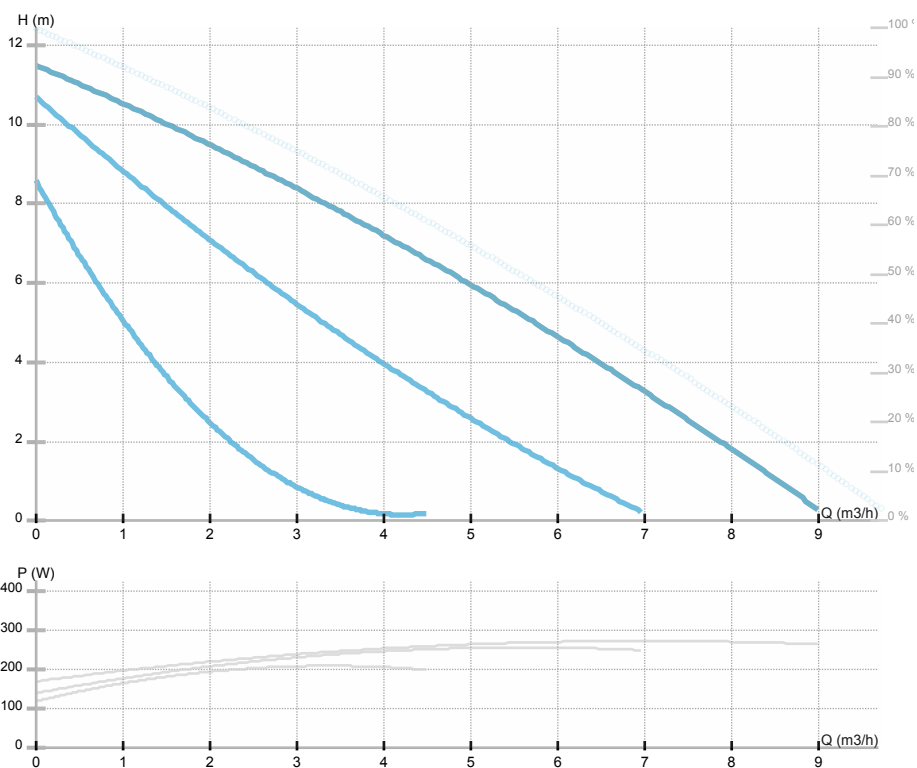
GHN 32/120-180

979522005

 GHN / Threaded circulation pumps with three speeds
 Heating/cooling, Klimatizacija

GENERAL

Product number	979522005		
Product name	GHN 32/120-180		
Seal type			
Net weight	5.40 kg		
Head max. (H max)	11.4 m	H min	0.0 m
Flow max. (Q max)	8.6 m³/h	Q min	0.0 m³/h
	%		
Noise	dB(A)		



ELECTRICAL DATA

Supply voltage	
Mains frequency	50 Hz
Power input max.	247 W
Speed max.	2880 rpm
Insulation class	200 °C
Current max.	1.15 A
Protection class	IP44
Thermal protection	
Frame size	
Motor IE class	

INSTALLATION

Pumped liquid	water VDI 2035, glycol 40%
Liquid temperature	-10.0 ÷ 110.0 °C
Ambient temp.range	40 °C
Port-to-port length	180 mm
Pipe connection	32
Pressure rating	G 2
Connection	G 2
Max operating pressure	1,0

MATERIAL

Bearing	ceramics
Impeller	Noryl 1630V
Hydraulics	gray cast iron
Shaft	ceramics

GHN 32/120-180

979522005

GHN / Threaded circulation pumps with three speeds

Heating/cooling, Klimatizacija



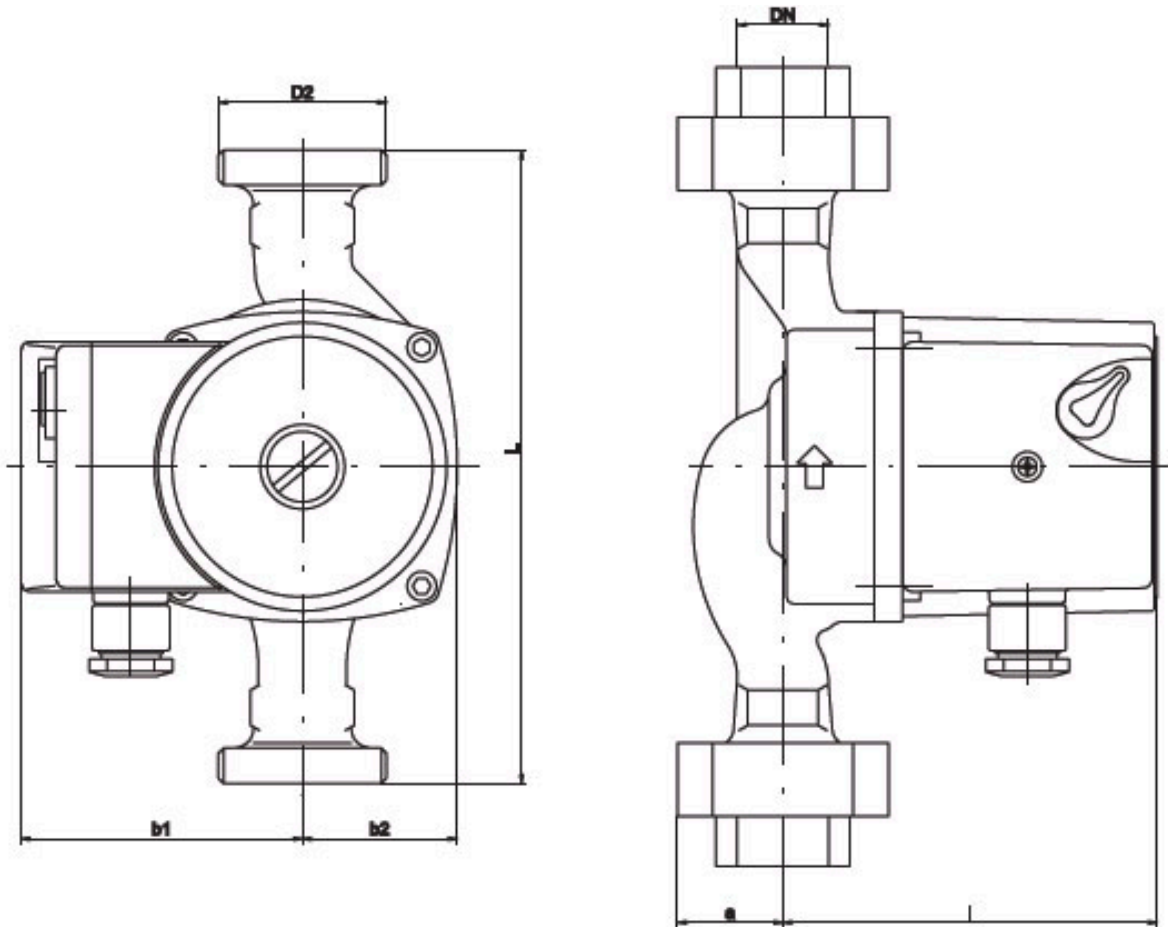


GHN 32/120-180

979522005

GHN / Threaded circulation pumps with three speeds
Heating/cooling, Klimatizacija

Dimension drawing



DN=32 D2=2" L=180 l=174 b1=80 b2=67 a=31

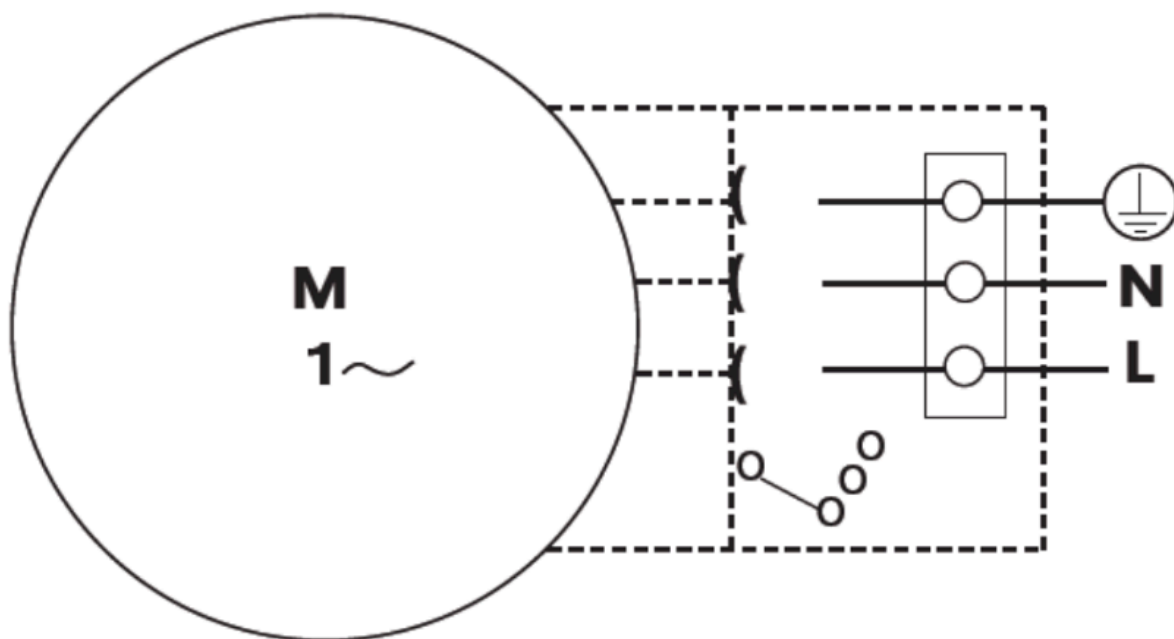


GHN 32/120-180

979522005

GHN / Threaded circulation pumps with three speeds
Heating/cooling, Klimatizacija

Electrical wiring





GHN 32/120-180

979522005

GHN / Threaded circulation pumps with three speeds
Heating/cooling, Klimatizacija

GHN 32/120-180 is a circulation pump with manual three-stage regulation of the number of revolutions of the rotor, suitable for heating, cooling, ventilation and air conditioning systems. The pump has an asynchronous single-phase electric motor. The motor windings are resistant to blocking current, so the motor does not require additional protection.

For the normal operation of the pump, it is necessary to provide a medium that is pure water or a mixture of pure water and antifreeze in accordance with the applicable standards on the quality of water in heating systems, for example the German standard VDI 2035. If the glycol content in the mixture is higher than 20%, it is recommended to check the pump parameters. Temperature range of the pumped medium: -10...+110 °C.

Operating point:

- Flow: 0 m³/h
- Head: 0 m

Pressure and flow tolerances according to ISO 9906-2015.

Electrical data:

- Voltage: ???
- Maximum current: 1.15 A

Installation data:

- DN: 32
- Installation length: 180 mm
- Net weight: 5.4 kg

The pump is available with a threaded (PN10) connection. The hydraulic casing of the pump is made of gray cast iron, protected by a cathodic coating, which contributes to greater resistance of the pump to the medium. The rotor can be made of one piece without welding, the rotor cladding is made of AISI 316 stainless steel, the pump shaft is made of ceramics. The impeller is made of Noryl plastic, the bearings are made of ceramics.